

SLING SHOT™

Patented and
Patents Pend.

IS A FRAME OF MIND



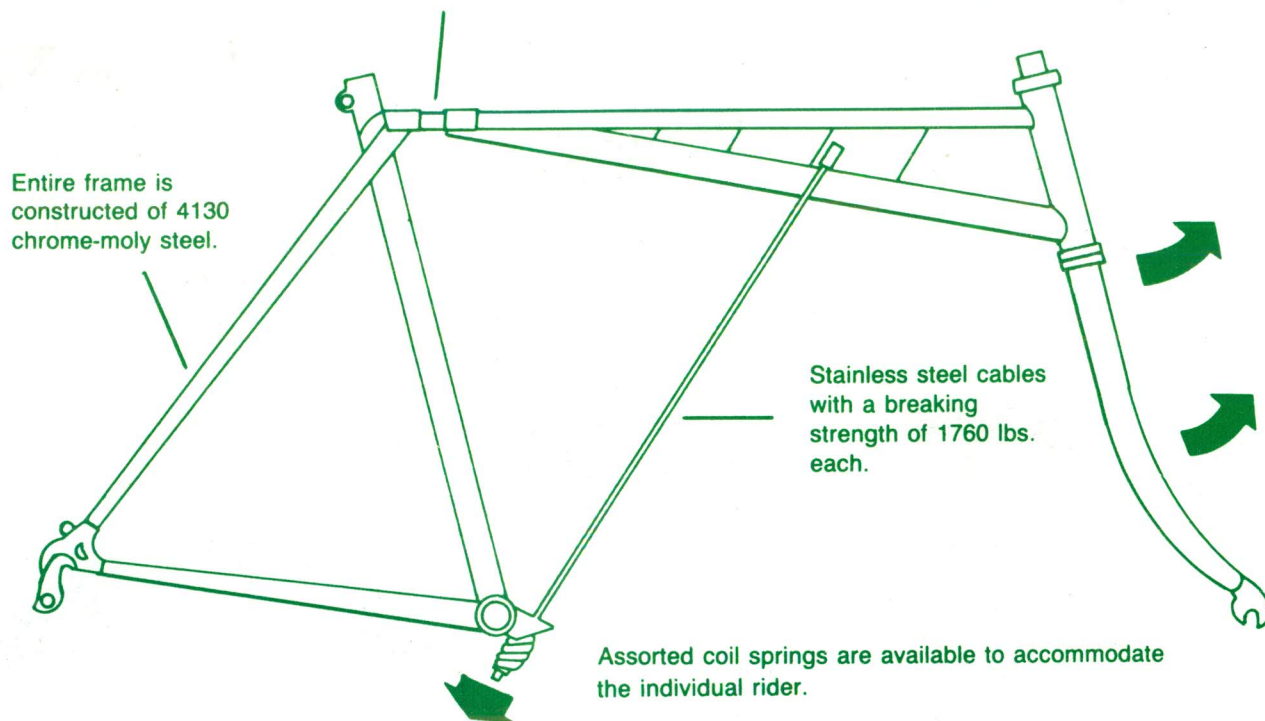
*Finally, a race proven,
light weight suspension frame
that gives you an
unbelievably smooth ride
with more efficient utilization
of pedal energy.*

SLINGSHOT

A totally new concept in bicycle frame design. After 6 years of lab. testing and 4 years of BMX and Mt. Bike Racing, SlingShot with its unique design can now guarantee the following advantages over rigid frame bicycles.

1. An Unbelievably smooth ride
2. More efficient Utilization of pedal energy by the storage of energy in the coil springs.
Example: When a tennis ball hits the center sweet spot of the racquet
3. Light weight, but strong and durable
4. Unique eye-catching design
5. The first major workable change in frame design in one hundred years
6. Has been stress tested 500,000 cycles
7. Quickly adjustable to suit any weight rider simply by changing the coil springs

Spring plate member is made from light weight Kevlar 49® which is the same type of material used in bullet-proof vests.



Entire frame is constructed of 4130 chrome-moly steel.

Stainless steel cables with a breaking strength of 1760 lbs. each.

Assorted coil springs are available to accommodate the individual rider.

SEAT TUBE ANGLE	72°
HEAD TUBE ANGLE	71½°
WHEEL BASE	41½"
TOP TUBE LENGTH	22¾"
CHAIN STAY LENGTH	16¾"
B/B HEIGHT	11¾"
FRAME WEIGHT	6½ lbs (18" FRAME)

OPTIONS:
CUSTOM TOP TUBE LENGTH.
ROAD & BMX HEADSETS
AVAILABLE.



GREENDALE BICYCLE CO.

SHOP ADDRESS:
45000 HIGHWAY 101
LAYTONVILLE, CA 95454
PHONE 707-459-9163 OR 707-984-8111

MAILING ADDRESS:
P.O. BOX 601
LAYTONVILLE, CA 95454

"THE BIKE PEOPLE WITH THE UNRIGID IDEAS"