

SLING SHOT™

Patented and
Patents Pend.

IS A FRAME OF MIND



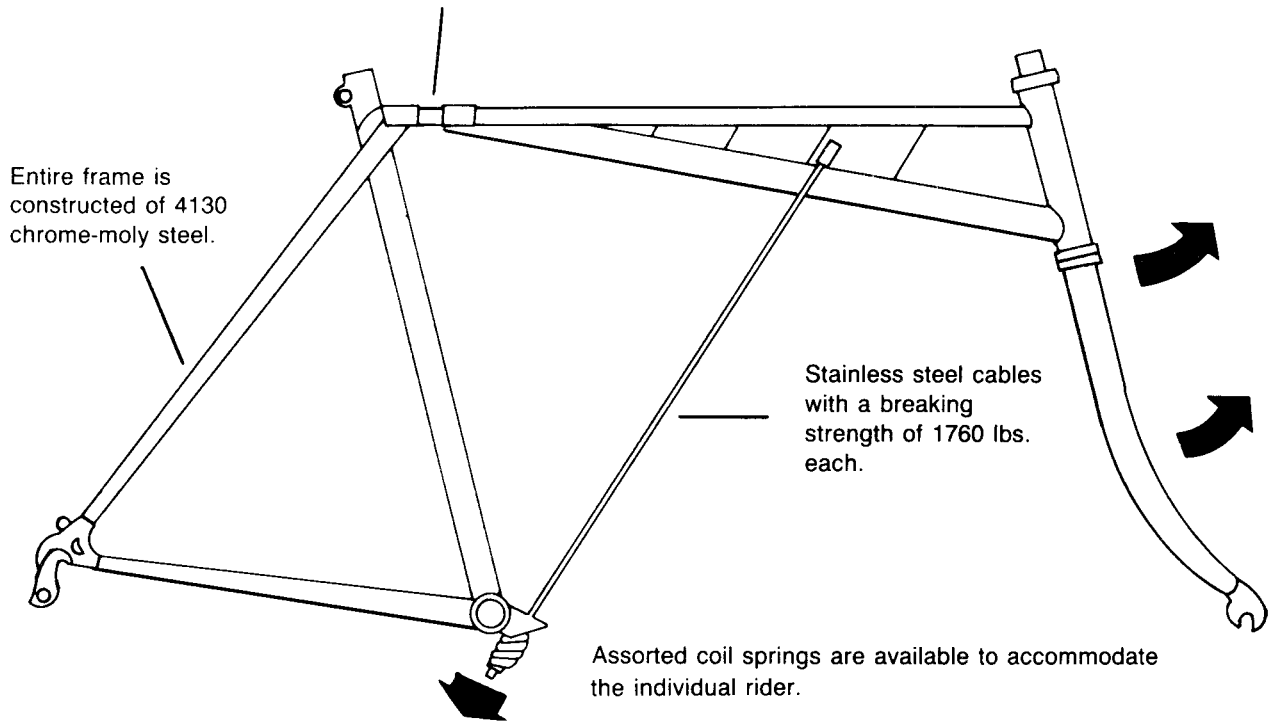
Finally, a race proven, light weight suspension frame that gives you an unbelievably smooth ride with more efficient utilization of pedal energy.

SLINGSHOT

A totally new concept in bicycle frame design. After 6 years of lab. testing and 4 years of BMX and Mt. Bike Racing, SlingShot with its unique design can now guarantee the following advantages over rigid frame bicycles.

- 1. An Unbelievably smooth ride**
- 2. More efficient Utilization of pedal energy by the storage of energy in the coil springs.**
Example: When a tennis ball hits the center sweet spot of the racquet
- 3. Light weight, but strong and durable**
- 4. Unique eyecatching design**
- 5. The first major workable change in frame design in one hundred years**
- 6. Has been stress tested 500,000 cycles**
- 7. Quickly adjustable to suit any weight rider simply by changing the coil springs**

Spring plate member is made from light weight Kevlar 49® which is the same type of material used in bullet-proof vests.



SEAT TUBE ANGLE	72°
HEAD TUBE ANGLE	71½°
WHEEL BASE	41½"
TOP TUBE LENGTH	22¾"
CHAIN STAY LENGTH	16¾"
B/B HEIGHT	11¾"
FRAME WEIGHT	6½ lbs (18" FRAME)

OPTIONS:
CUSTOM TOP TUBE LENGTH.
ROAD & BMX HEADSETS
AVAILABLE.



GREENDALE BICYCLE CO.

SHOP ADDRESS:
45000 HIGHWAY 101
LAYTONVILLE, CA 95454
PHONE 707-459-9163 OR 707-984-8111

MAILING ADDRESS:
P.O. BOX 601
LAYTONVILLE, CA 95454

"THE BIKE PEOPLE WITH THE UNRIGID IDEAS"